

KK-300A / LB / W | Animal Bench Scale



TOTAL WEIGHING SOLUTION™



...Clearly a Better Value

KK-300A

- Accurate to Within 1/2 lb
- Dual Slide-Out Gates Included
- Stainless Steel Junction Box
- Stainless Steel Load Cells
- Up to 5,000 lb Capacity



Certificate of Conformance No. 13-083



Indicator sold separately

Warranty - Two Years

NEW! LB SERIES LOAD BARS FARM WEIGHING APPLICATIONS

KK-300LB



Versatile Weighing:
Alleyway Platforms,
Cages, Squeeze Chutes,
Bins, and Hoppers



KK-300W



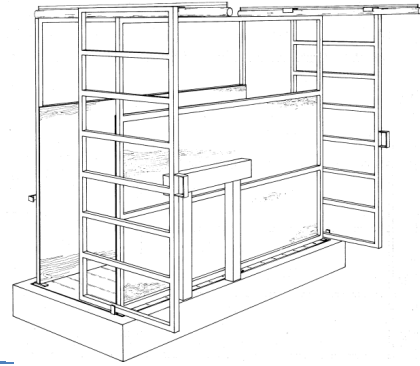


<u>Model</u>	<u>Capacity</u>	<u>Size</u>	<u>Loadcell</u>
--------------	-----------------	-------------	-----------------

<u>KK-300A</u>	<u>2 Ton</u>	<u>2 x 1 meter</u>	<u>4 Pcs</u>
----------------	--------------	--------------------	--------------

<u>KK-300LB</u>	<u>2 Ton</u>	<u>100 x 1000 mm</u>	<u>4 Pcs</u>
-----------------	--------------	----------------------	--------------

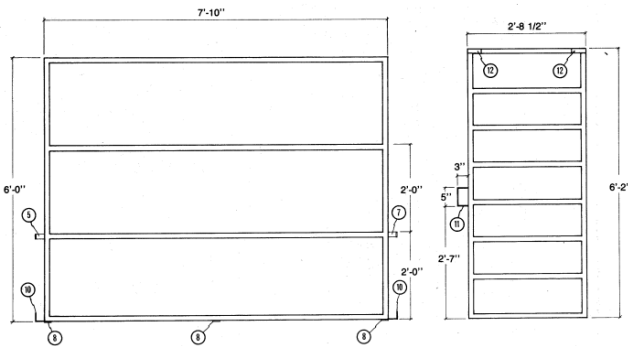
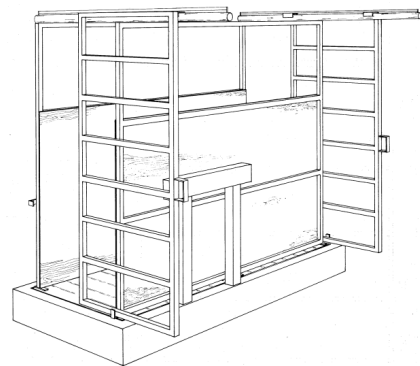
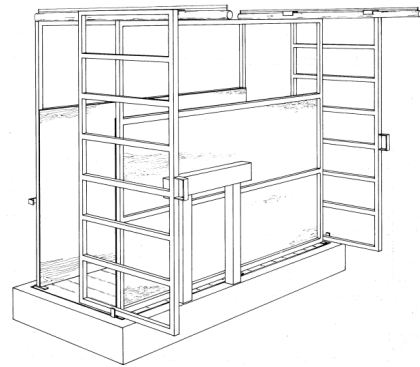
<u>KK-300W</u>	<u>100 kg</u>	<u>50 x 40 cm</u>	<u>1 Pcs</u>
----------------	---------------	-------------------	--------------



- Accurate to Within 1/2 lb
- Dual Slide-Out Gates Included
- Stainless Steel Junction Box
- Stainless Steel Load Cells
- Up to 5,000 lb Capacity



Indicator sold separately



Panasonic Kenko Electric Co, Ltd
 36 Sisenju, Okio, Osaka 234-23354 Japan
 Tel. 81-32-565434667

Specifications subject to change without notice



...Clearly a Better Value

Specifications subject to change without notice